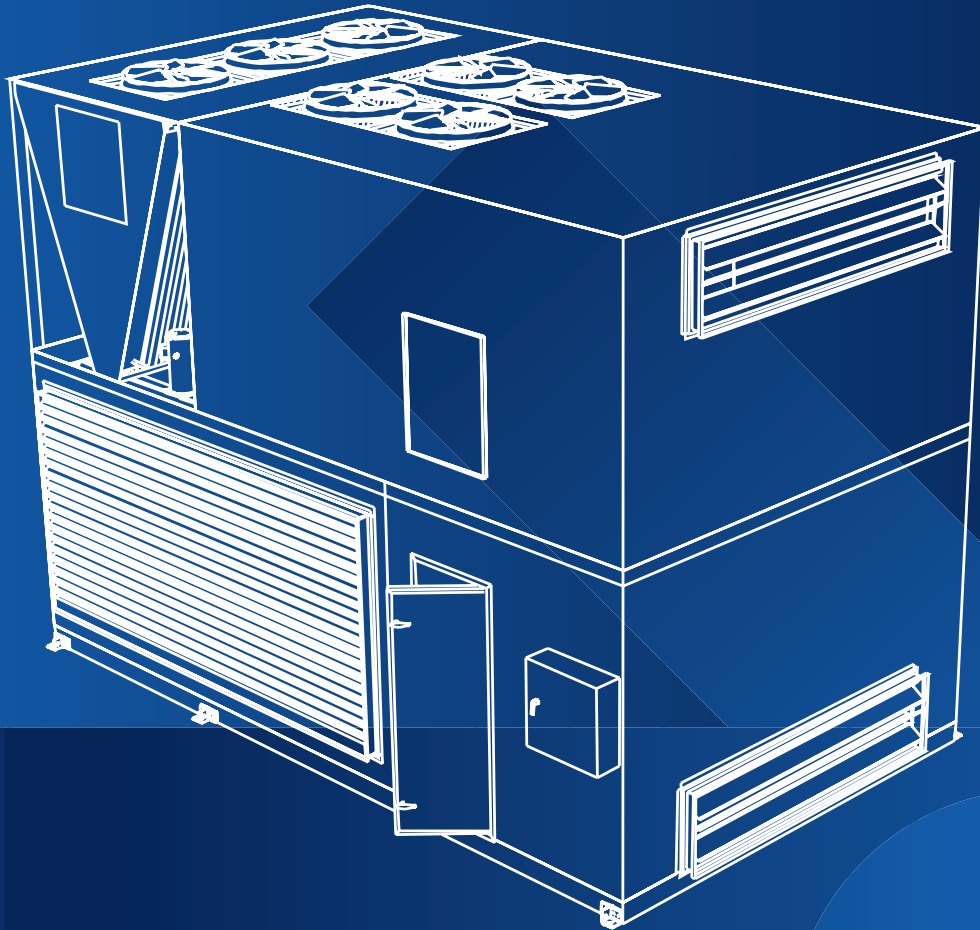




**United Metal  
Products®**

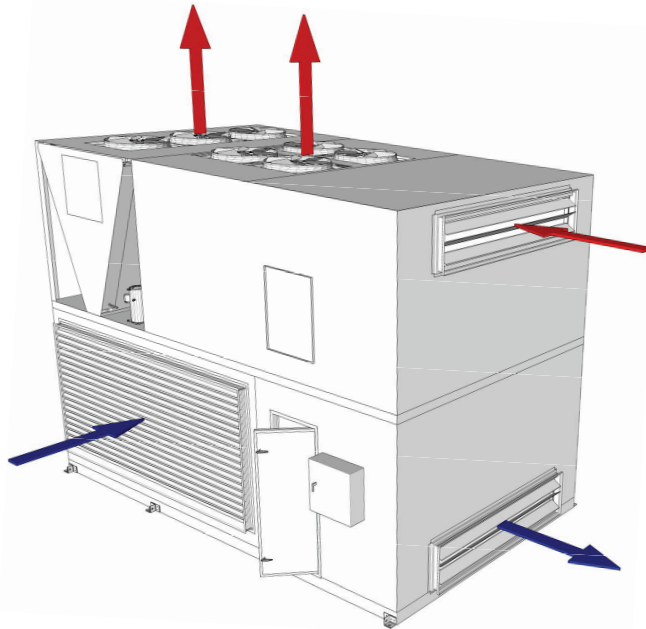
**DC-ERA™**

*Evaporative - Return Air Unit*



The DC-ERA™ specifically designed for the higher allowable cold aisle temperatures being applied in today's Data Centers. Applying this technology can provide the power, installation and maintenance cost savings to the owner while lowering dramatically the PUE.

*Manufacturer of Quality Air Moving Equipment*



- 50 - 1000 kW  
Cooling Capacity

## **Super Efficient Data Center Evaporative - Return Air Units 5,000-100,000 CFM & Above**

### **Why?**

**Power:** Currently data centers consume over 2% of entire power produced in the U.S. and it is growing. Data Factories of the future must move from old legacy style infrastructures to new free cooling strategies if this challenge is to be met.

- Modularity
- Serviceability
- Scalability
- Heat Recovery
- Redundancy
- Humidification

### **Applications?**

- Large Data Centers
- Colo-Facilities
- Modular Data Centers
- Containerized Data Centers
- Hi-Density Data Center
- Upgrades to existing Data Centers

### **Where?**

- Low wet bulb locations have the highest potential of free cooling hrs
- Applications where cold aisle temps are allowed above 60°
- Locations where winter outside air economizer mode is applied

### **Features:**

- 0-100% OSA /Evaporative Economizer (free cooling)
- 5,000-100,000 CFM or higher
- Powered Variable Exhaust
- 50 kW-1000 kW of cooling capacity
- Double wall foam filled thermal break construction
- Trim - DX cooling 10% -50% (option)
- 100% - DX back up (option)
- Humidity control 2-4 steps (for winter operation)
- EC fan variable speed technology
- ETL Listed and Labeled in accordance with UL1995

### **Resources Available for This Product**

- Catalog By Mail
- Catalog Online



- Patent #5,970,723  
and other patents pending

### **United Metal Products**

1920 E Encanto Drive Tempe, AZ 85281  
T 480.968.9550  
F 480.968.9555  
www.unitedmetal.com

